



Application

- Data center & Networking Equipment
- Servers/Storage Devices
- High Performance Computing (HPC)
- Switches/Routers
- Telecom Central Offices (CO)
- Test and Measurement Equipment

Standards Compliance

- Compliant with DSFP/NGSFP MSA
- Compliant with IEEE 802.3cd
- Compliant with IEEE 802.3by
- I2C for EEPROM Communication
- Compliant with CMIS 5.0 and SFF-8636
- Compliant with SFF-8472, SFF-8402, SFF-8419, SFF-8432, SFF-8071, SFF-8433

Highlight

- Support 53.125G PAM4
- 100G to 100G Data Rate
- 3.3V Power Supply
- Hot Pluggable
- BER < 10⁻⁶ (pre FEC)
- BER < 10⁻¹⁵ (post FEC)
- Excellent SI performance
- RoHS Compliance

1.0 General Description

This datasheet pertains to the **DSFP56 to DSFP56 100G Direct Attached Cable Assembly**, meticulously designed for application in the telecommunications and data center sectors. It facilitates bi-directional transmission of 100Gb traffic per cable, accommodating 2 lanes of 50G PAM4. The cable adheres to the standardized DFP and NGSFP form factor and complies rigorously with Multi-Source Agreement (MSA) specifications.

2.0 Product Specification

2.1 Absolute Maximum Ratings

Parameter	Unit	Min.	Max.	Notes
Supply Voltage	V	-0.3	3.6	
Data Input Voltage	V	-0.3	3.6	
Control Input Voltage	V	-0.3	3.6	
Operating Temperature	°C	0	70	
Storage Temperature	°C	-40	+85	
Relative Humidity (Non-Condensing)	%	5	85	

2.2 Operational Specification

Parameter	Unit	Min	Typical	Max	Notes
Supply Voltage (Vcc)	V	3.135	3.3	3.465	Per End
Power Consumption	W			1.5	Per End
Operating Case Temperature	°C	0		70	
Operating Relative Humidity	%	0		85	
Modulation Format		56G PAM-4			
Bit Rate	Gbps	2*50G to 2*50G			

2.3 Electrical Characteristics

Parameter	Unit	Min	Typical	Max	Notes
Characteristic Impedance	ohm	90	100	110	
Time Propagation Delay (Informative)	ns	4.9	

2.4 SI performance

Item	Parameter	Require	Reference
1	ILdd Insertion loss at 13.28 GHz	17.16 dB (Max.)	IEEE 802.3cd Section Section 136.11.2
2	ILdd Insertion loss at 13.28 GHz	8 dB (Min.)	IEEE 802.3cd Section Section 136.11.2
3	ERL Minimum cable assembly	>11 dB*.	IEEE 802.3cd Section Section 136.11.3
4	RLcd Differential-mode to common-mode return loss	0.01GHz – 19GHz Equation (92–28)	IEEE 802.3cd Section 136.11.4
5	ILcd Differential-mode to common-mode insertion loss	0.01GHz – 19GHz Equation (92–29)	IEEE 802.3cd Section 136.11.5
6	RLcc Common-mode to common-mode return loss	0.01GHz – 19GHz Equation (92–30)	IEEE 802.3cd Section Section 136.11.6
7	COM	3dB (Min.)	IEEE 802.3cd Section Section 136.11.7
*Cable assemblies with a com greater than 4 dB are not required to meet minimum ERL			

2.5 Pin Assignments

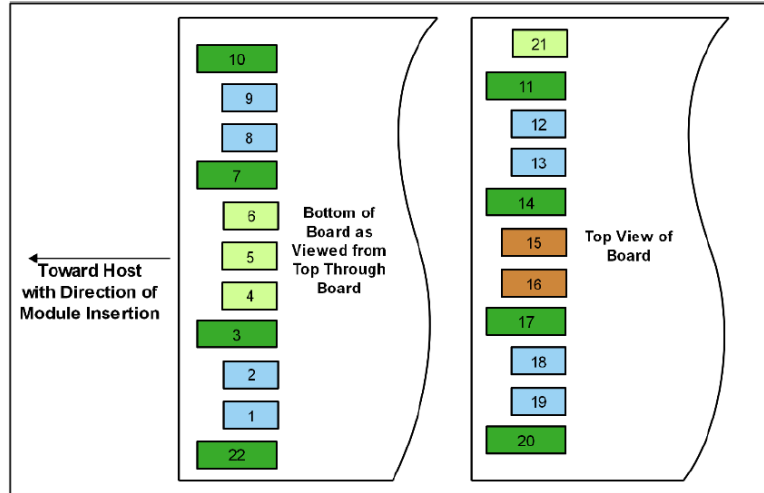


Figure 1 DSFP56 Module Contact Assignment

2.6 Pin Description

Table 1 DSFP56 Module Pin Description

Contacts	Logic ¹	Symbol	Power Sequence Order	Name/Description	Note
case		case	See2	Module case	
1	CML-I	TD2-	3rd	Transmitter Inverted Data Input Lane 2	
2	CML-I	TD2+	3rd	Transmitter Non-Inverted Data Input Lane 2	
3		Gnd	1st	Module Ground	5
4	LVTTL-I/O	SDA	3rd	2-wire Serial Interface Data Line	3
5	LVTTL-I/O	SCL	3rd	2-wire Serial Interface Clock	3
6	Multilevel -I/O	LPWn/ PRSn	3rd	Low Power Mode/ Module Present (Mod_Abs)	
7		Gnd	1st	Module Ground	5
8	CML-O	RD2+	3rd	Receiver Non-Inverted Data Output Lane 2	
9	CML-O	RD2-	3rd	Receiver Inverted Data Output Lane 2	
10		Gnd	1st	Module Ground	5
11		Gnd	1st	Module Ground	5
12	CML-O	RD1-	3rd	Receiver Inverted Data Output Lane 1	4
13	CML-O	RD1+	3rd	Receiver Non-Inverted Data Output Lane 1	4

14		Gnd	1st	Module Ground	5
15		Vcc	2nd	Module 3.3 V Supply	
16		Vcc	2nd	Module 3.3 V Supply	
17		Gnd	1st	Module Ground	5
18	CML-I	TD1+	3rd	Transmitter Non-Inverted Data Input Lane 1	4
19	CML-I	TD1-	3rd	Transmitter Inverted Data Input Lane 1	4
20		Gnd	1st	Module Ground	5
21	Multilevel-I/O	INT/RSTn	3rd	Dual Function Module Interrupt and Reset Pin	
22		Gnd	1st	Module Ground	5

Note1:

Labeling as inputs (I) and outputs (O) are from the perspective of the module.

Note2:

The case makes electrical contact to the cage before any of the board edge contacts are made.

Note3:

DSFP 2-wire interface is based on Low Voltage TTL (LVTTTL) operating with a module supply of 3.3 V +/-5% and with a host supply range of 2.38 to 3.46 V.

The 2-wire interface protocol and electrical specifications are defined in SFF-8431 and compatible with I2C bus specifications.

Note4:

Backward compatible with SFF-8431 SFI interface.

Note5:

The module ground contacts Gnd recommended to be isolated from the module case by offering flexibility in the host EMI control strategy.

2.7 Cable Wiring

WIRING TABLE

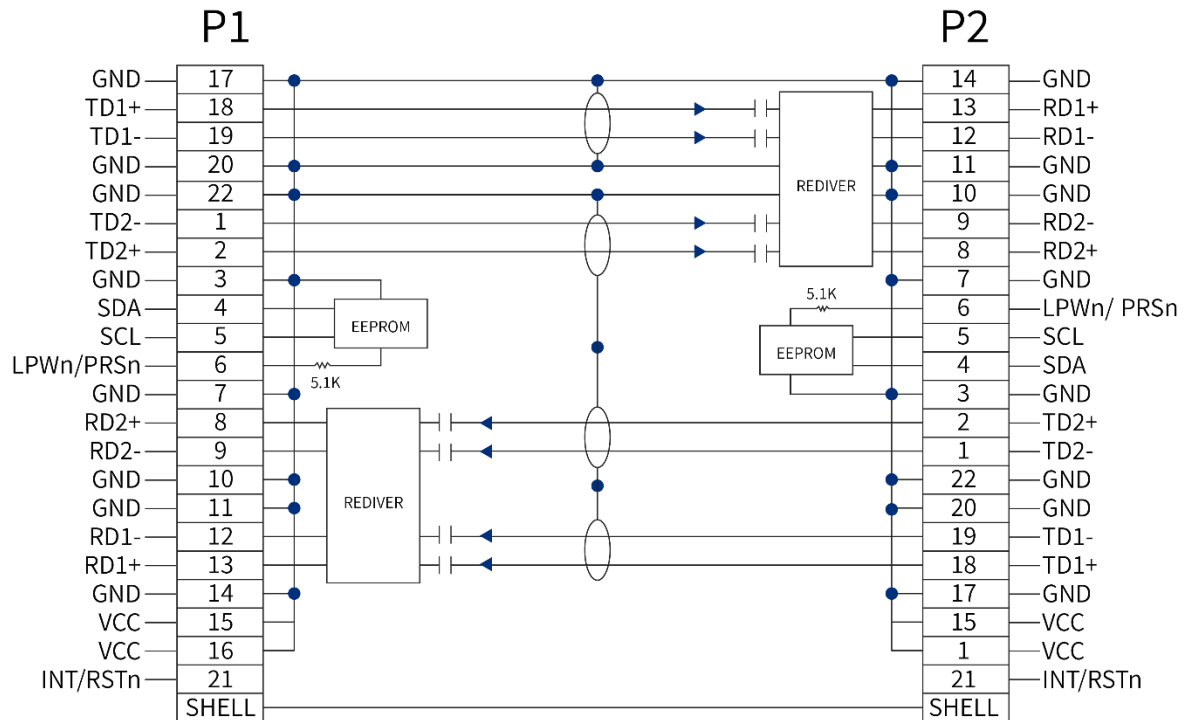


Figure 2 DSFP56 to DSFP56 Active Redriver Cable Assembly Wiring

2.1 MCIS Memory Map

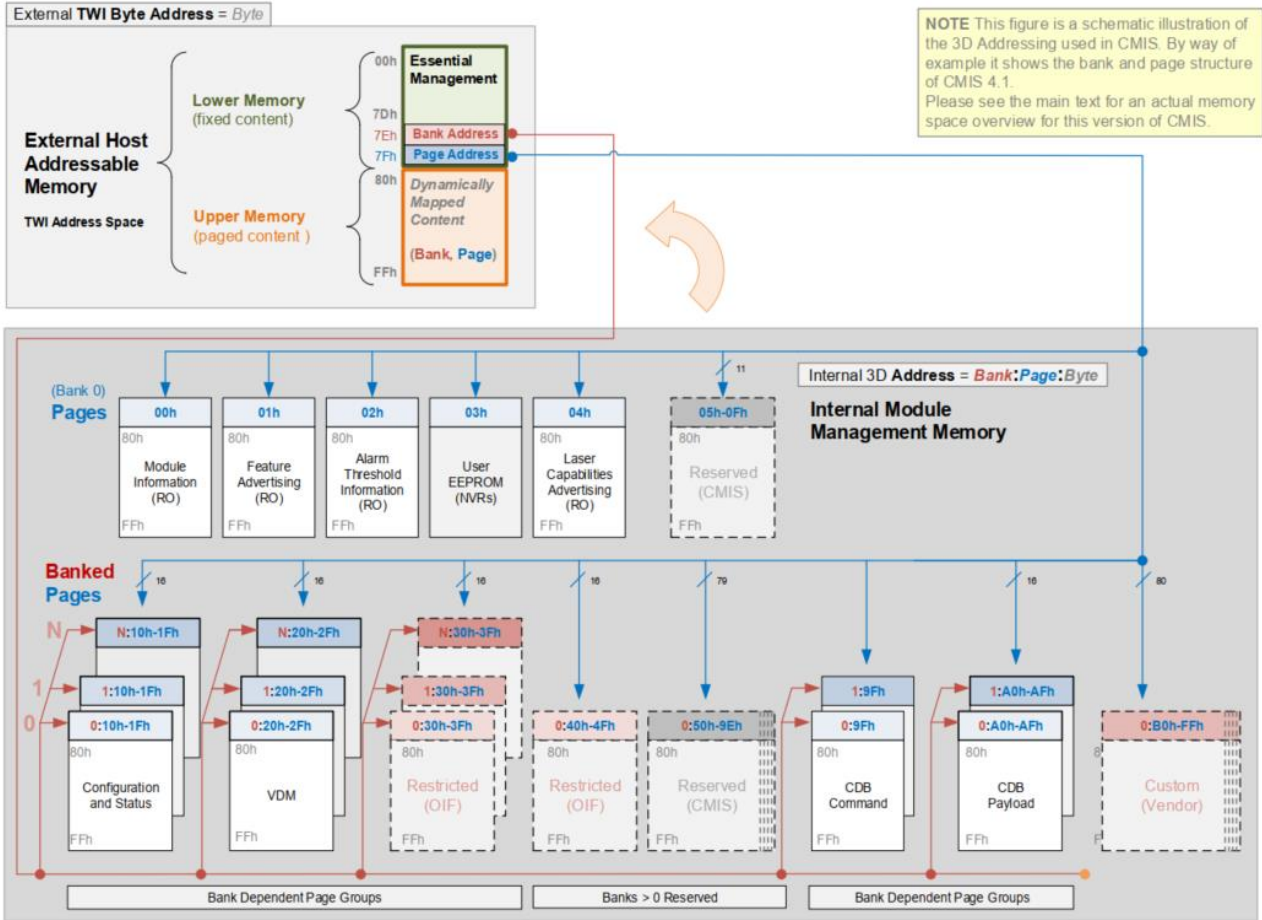


Figure 3 CMIS Module Memory Map (Conceptual View)

Lower Memory Overview

Address	Size	Subject Area	Description
0-3	4	ID and Status Area	Module ID from SFF-8024 list, version number, Type and status Flat mem indication, CLEI present indicator, Maximum TWI speed, Current state of Module, Current state of the Interrupt signal
4-7	4	Lane Flag Summary	Flag summary of all lane flags on pages 10h-1Fh
8-13	6	Module-Level Flags	All flags that are not lane or data path specific
14-25	12	Module-Level Monitors	Monitors that are not lane or data path specific
26-3	5	Module Global Controls	Controls applicable to the module as a whole
31-36	6	Module-Level Flag Masks	Masking bits for the Module-Level flags
37-38	2	CDB Status Area	Status of most recent CDB command
39-40	2	Module Firmware Version	Module Firmware Version
41-63	23	Reserved Area	Reserved for future standardization

64-82	19	Custom Area	Vendor or module type specific use
83-84	2	Inactive Firmware Version	Version Number of Inactive Firmware. Values of 00h indicates module supports only a single image.
85-117	33	Application Advertising	Combinations of host and media interfaces that are supported by module data path(s)
118-125	8	Password Entry and Change	
126	1	Bank Select Byte	Bank address of currently visible Page
127	1	Page Select Byte	Page address of currently visible Page

Page 00h Overview

Address	Size (bytes)	Name	Description
128	1	Identifier	Identifier Type of module
129-144	16	Vendor name	Vendor name(ASCII)
145-147	3	Vendor OUI	Vendor IEEE company ID
148-163	16	Vendor PN	Part number provided by vendor (ASCII)
164-165	2	Vendor rev	Revision level for part number provided by vendor (ASCII)
166-181	16	Vendor SN	Vendor Serial Number (ASCII)
182-189	8	Date Code	
190-199	10	CLEI code	Common Language Equipment Identification code
200-201	2	Module power characteristics	
202	1	Cable assembly length	
203	1	Media Connector Type	
204-209	6	Copper Cable Attenuation	
210-211	2	Cable Assembly Lane Information	
212	1	Media Interface Technology	
213-220	8	Reserved	
221	1	Custom	
222	1	Checksum	Includes bytes 128-221
223-255	33	Custom Info NV	

Note: For the above, refer to **Common Management Interface Specification Rev5.0**.

2.2 Mechanical Specifications

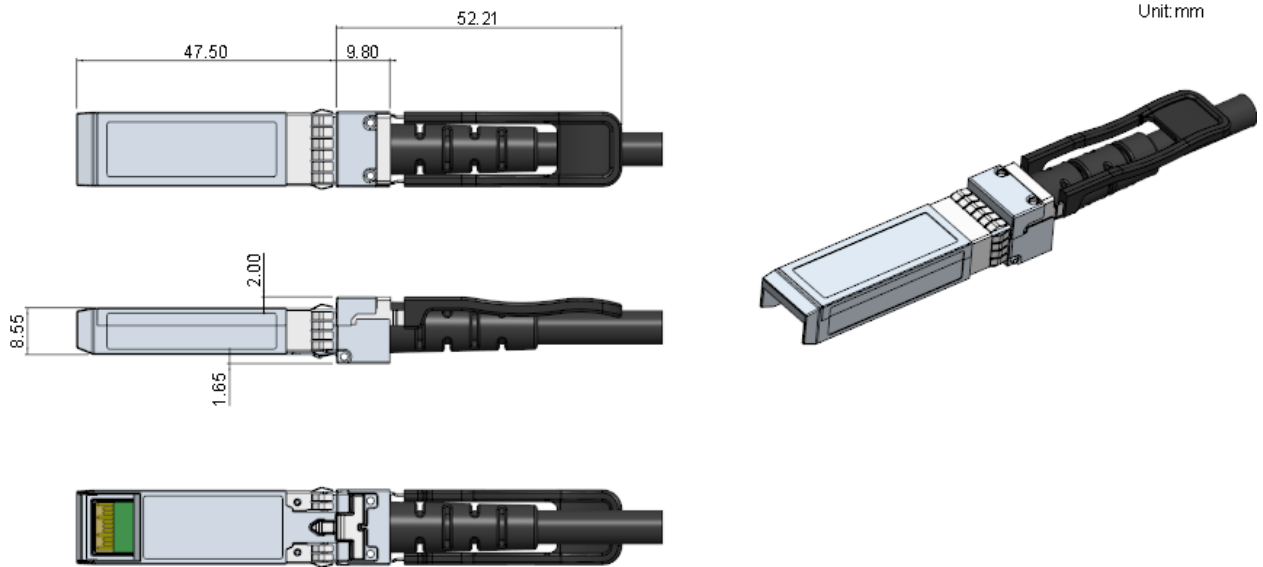
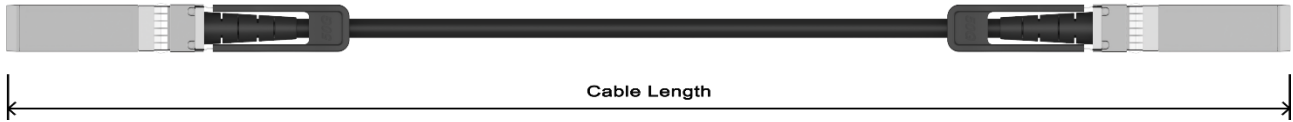


Figure 4 DSFP56 Form Factor

3.0 Product Information

Unit:mm



Product ID	Product Description	Tolerance	AWG
DSFP56-100G-ACC-3025	DSFP56 100G Active Redriver Copper Cable, 30AWG-2.5M	±50	30
DSFP56-100G-ACC-3030	DSFP56 100G Active Redriver Copper Cable, 30AWG-3.0M	±50	30
DSFP56-100G-ACC-3035	DSFP56 100G Active Redriver Copper Cable, 30AWG-3.5M	±60	30
DSFP56-100G-ACC-2840	DSFP56 100G Active Redriver Copper Cable, 28AWG-4.0M	±60	30
DSFP56-100G-ACC-2830	DSFP56 100G Active Redriver Copper Cable, 28AWG-3.0M	±50	28
DSFP56-100G-ACC-2835	DSFP56 100G Active Redriver Copper Cable, 28AWG-3.5M	±60	28
DSFP56-100G-ACC-2840	DSFP56 100G Active Redriver Copper Cable, 28AWG-4.0M	±60	28
DSFP56-100G-ACC-2845	DSFP56 100G Active Redriver Copper Cable, 28AWG-4.5M	±70	28
DSFP56-100G-ACC-2640	DSFP56 100G Active Redriver Copper Cable, 26AWG-3.5M	±60	26
DSFP56-100G-ACC-2640	DSFP56 100G Active Redriver Copper Cable, 26AWG-4.0M	±60	26
DSFP56-100G-ACC-2645	DSFP56 100G Active Redriver Copper Cable, 26AWG-4.5M	±70	26
DSFP56-100G-ACC-2650	DSFP56 100G Active Redriver Copper Cable, 26AWG-5.0M	±70	26

Important Notice

The performance figures, data, and any illustrative material presented in this datasheet are typical and must be explicitly confirmed in writing by ZHAOLONG before they are deemed applicable to any specific order or contract.

By ZHAOLONG's policy of continuous improvement, specifications may change without prior notice. The publication of information in this datasheet does not imply exemption from patent or other protective rights held by ZHAOLONG or other parties. Additional details can be obtained from any ZHAOLONG sales representative.

4.0 Revision Record

Rev.	Comments	Author	Date
A01	Initial Release	James Chen	10/01/2023