

Application

- Data center & Networking Equipment
- Servers/Storage Devices
- High Performance Computing (HPC)
- Switches/Routers
- Telecom Central Offices (CO)
- Test and Measurement Equipment

Standards Compliance

- Compliant with QSFP56 MSA
- Compliant with IEEE 802.3bj
- Compliant with IEEE 802.3ba
- Compliant with InfiniBand EDR
- SFF-8417, SFF-8661, SFF-8679, SFF-8636

Highlight

- Support 4x25.78G
- 100G to 100G Data Rate
- 3.3V Power Supply
- Hot Pluggable
- Excellent SI performance
- RoHS Compliance
- I2C for EEPROM communication
- Max. power consumption 0.1W
- Support CMIS Management Interface

1.0 General Description

This datasheet pertains to the **QSFP28 to QSFP28 100G Direct Attached Cable Assembly**, meticulously designed for application in the telecommunications and data center sectors. It facilitates bi-directional transmission of 100G traffic per cable, accommodating 4 lanes of 28Gb. The cable adheres to the standardized QSFP28(56) form factor and complies rigorously with Multi-Source Agreement (MSA) specifications.

2.0 Product Specification

2.1 Absolute Maximum Ratings

Parameter	Unit	Min.	Max.	Notes
Supply Voltage	V	-0.3	3.6	
Data Input Voltage	V	-0.3	3.6	
Control Input Voltage	V	-0.3	3.6	
Operating Temperature	°C	0	70	
Storage Temperature	°C	-40	+85	
Relative Humidity (Non-Condensing)	%	5	85	

2.2 Operational Specification

Parameter	Unit	Min	Typical	Max	Notes
Supply Voltage (Vcc)	V	3.135	3.3	3.465	Per End
Power Consumption	W			0.1	Per End
Operating Case Temperature	°C	0		70	
Operating Relative Humidity	%	0		85	
Modulation Format		25G NRZ			
Bit Rate	Gbps	100G to 100G			

2.3 Electrical Characteristics

Parameter	Unit	Min	Typical	Max	Notes
Characteristic Impedance	ohm	90	100	110	
Time Propagation Delay (Informative)	ns	4.9	

2.4 SI performance

Item	Parameter	Require	Reference
1	ILdd Insertion loss at 12.89 GHz	<22.48 dB (Max.)	IEEE 802.3bj Section 92.10.2
2	ILdd Insertion loss at 12.89 GHz	>8 dB (Min.)	IEEE 802.3bj Section 92.10.2
3	RLdd differential return loss at 12.89 GHz	>6 dB (Min.)	IEEE 802.3bj Section 92.10.3
4	RLcd Differential-mode to common-mode return loss	0.01GHz – 19GHz Equation (92–28)	IEEE 802.3bj Section 92.10.4
5	ILcd Differential-mode to common-mode insertion loss	0.01GHz – 19GHz Equation (92–29)	IEEE 802.3bj Section 92.10.5
6	RLcc Common-mode to common-mode return loss	0.01GHz – 19GHz Equation (92–30)	IEEE 802.3bj Section 92.10.6
7	COM	3dB (Min.)	IEEE 802.3bj Section 92.10.7

2.5 Pin Assignments

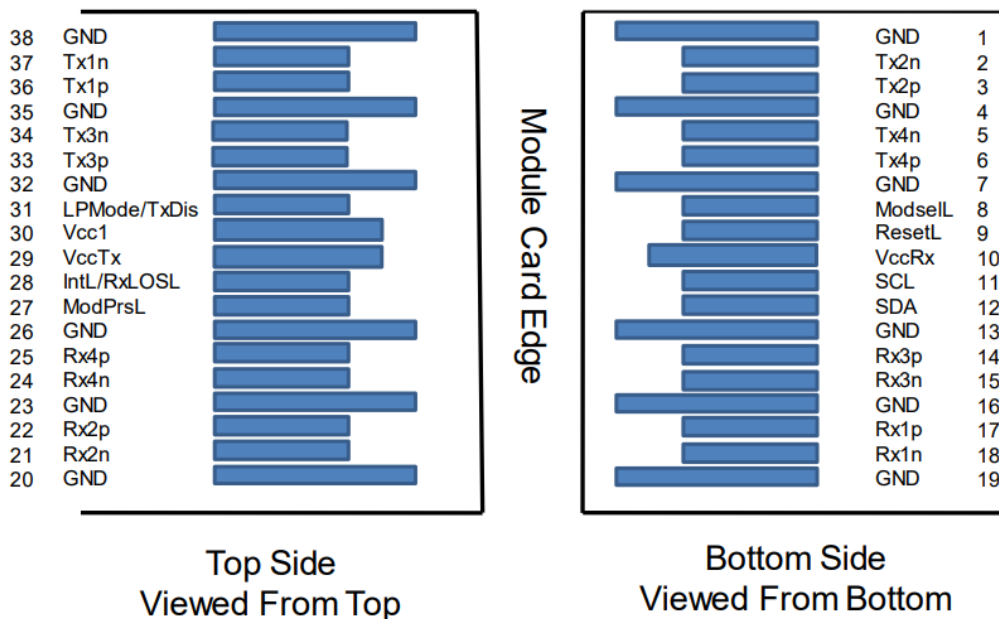


Figure 1 QSFP Module Contact Assignment

2.6 Pin Description
Table 1 QSFP28 Module Pin Description

Pin	Logic	Symbol	Description	Plug Sequence	Notes
1		GND	Ground	1	1
2	CML-I	Tx2n	Transmitter Inverted Data Input	3	
3	CML-I	Tx2p	Transmitter Non-Inverted Data Input	3	
4		GND	Ground	1	1
5	CML-I	Tx4n	Transmitter Inverted Data Input	3	
6	CML-I	Tx4p	Transmitter Non-Inverted Data Input	3	
7		GND	Ground	1	1
8	LVTTTL-1	ModseIL	Module Select	3	
9	LVTTTL-1	ResetL	Module Reset	3	
10		Vcc Rx	+3.3V Power supply receiver	2	2
11	LVC MOS-I/O	SCL	2-wire serial interface clock	3	
12	LVC MOS-I/O	SDA	2-wire serial interface clock	3	
13		GND	Ground	1	1
14	CML-O	Rx3p	Receiver Non-Inverted Data Output	3	
15	CML-O	Rx3n	Receiver Inverted Data Output	3	
16		GND	Ground	1	1
17	CML-O	Rx1p	Receiver Non-Inverted Data Output	3	
18	CML-O	Rx1n	Receiver Inverted Data Output	3	
19		GND	Ground	1	1
20		GND	Ground	1	1
21	CML-O	Rx2n	Receiver Inverted Data Output	3	
22	CML-O	Rx2p	Receiver Non-Inverted Data Output	3	
23		GND	Ground	1	
24	CML-O	Rx4n	Receiver Inverted Data Output	3	
25	CML-O	Rx4p	Receiver Non-Inverted Data Output	3	
26		GND	Ground	1	1
27	LVTTTL-O	ModPrsL	Present	3	
28	LVTTTL-O	Int/RxLos	Interrupt/optional RxLOS	3	
29		Vcc Tx	+3.3 V Power supply transmitter	2	2
30		Vcc1	3.3 V Power supply	2	2
31	LVTTTL-I	LPMoDe/Tx Dis	Low Power Mode/optional TX Disable	3	
32		GND	Ground	1	1
33	CML-I	Tx3p	Transmitter Non-Inverted Data Input	3	
34	CML-I	Tx3n	Transmitter Inverted Data Input	3	
35		GND	Ground	1	1

36	CML-I	Tx1p	Transmitter Non-Inverted Data Input	3	
37	CML-I	Tx1n	Transmitter Inverted Data Input	3	
38		GND	Ground	1	1

Note 1:

GND is the symbol for signal and supply (power) common for the module. All are common within the module and all module voltages are referenced to this potential unless otherwise noted. Connect these directly to the host board signal-common ground plane.

Note 2:

VccRx, Vcc1 and VccTx are applied concurrently and may be internally connected within the module in any combination. Vcc contacts in SFF-8662 and SFF-8672 each have a steady state current rating of 1 A.

2.7 Cable Wiring

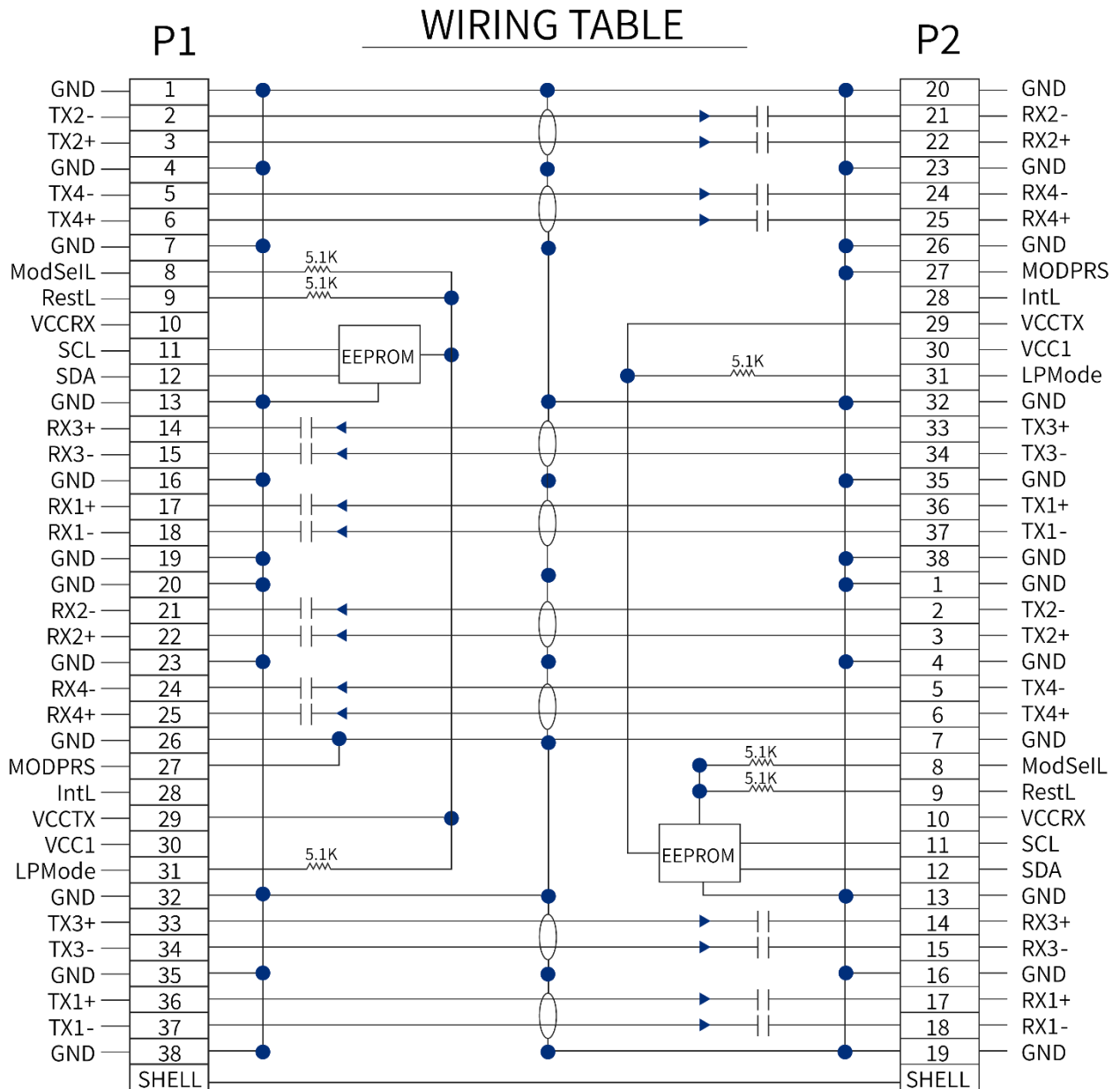


Figure 2 QSFP28 to QSFP28 Direct Attached Cable Assembly Wiring

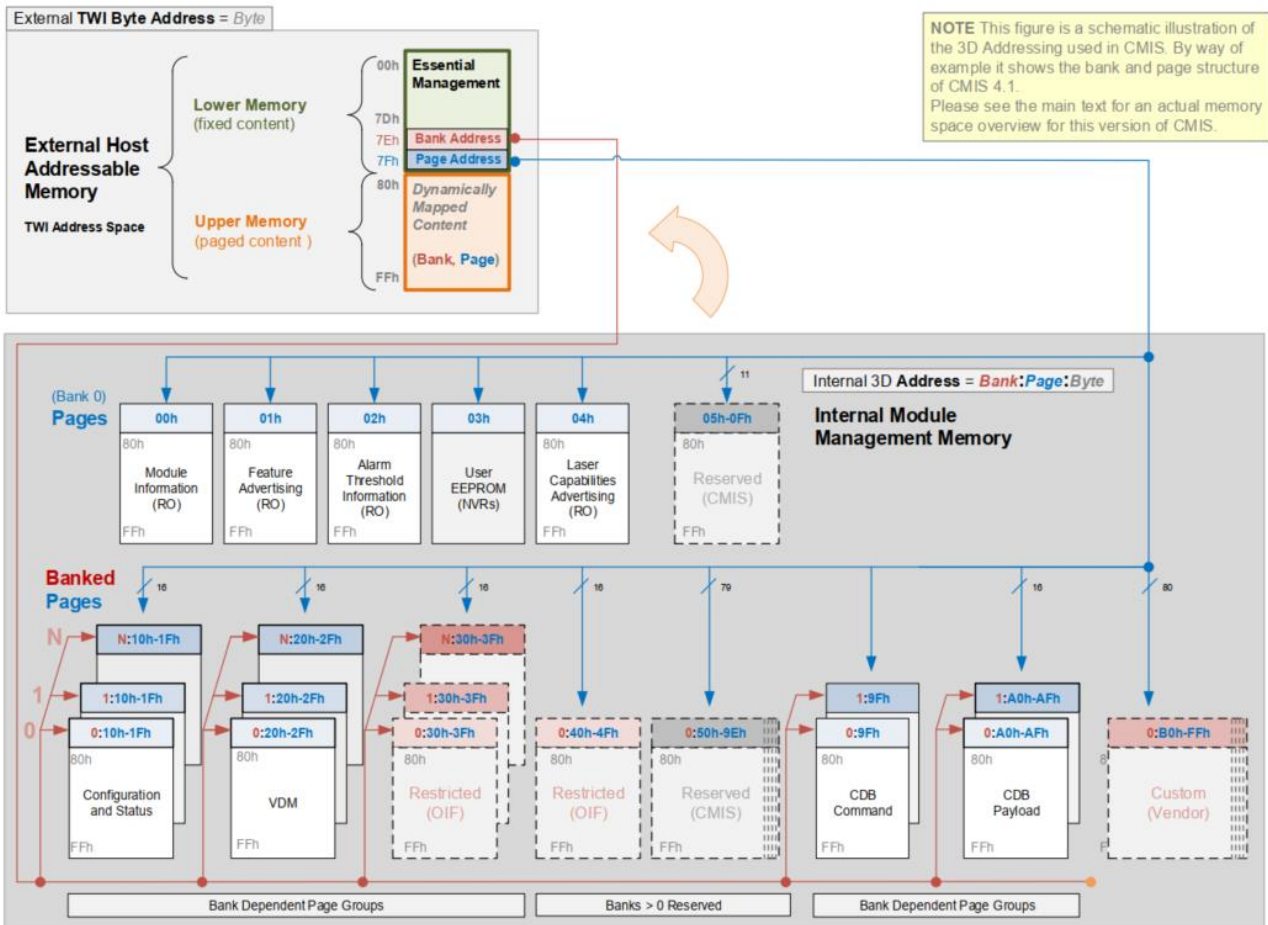
2.8 Memory Map information (SFF-8636 Version)

Table 2 SFF-8636 Memory Map

From	To	Content	No. of bytes	Type
2-Wire Serial Address 1010000x				
Lower Page 00h				
0	2	ID and Status	3	Read-Only
3	21	Interrupt Flags (Clear on read)	19	Read-Only
22	33	Free Side Device Monitors	12	Read-Only
34	81	Channel Monitors	48	Read-Only
82	85	Reserved	4	Read-Only
86	99	Control	14	Read/Write
100	106	Free Side Interrupt Masks	7	Read/Write
107	110	Free Side Device Properties	4	Read-Only
111	112	Assigned to PCI Express	2	Read/Write
113	117	Free Side Device Properties	5	Read-Only
118	118	Reserved	1	Read/Write
119	122	Optional Password Change	4	Write-Only
123	126	Optional Password Entry	4	Write-Only
127	127	Page Select Byte	1	Read/Write
Upper Page 00h				
128	128	Identifier	1	Read-Only
129	191	Base ID Fields	63	Read-Only
192	223	Extended ID	32	Read-Only
224	255	Vendor Specific ID	32	Read-Only

Note: For the above refer to **SFF-8636 Management Interface for 4-lane Modules and Cables Rev 2.10.2**

2.9 Memory Map information (CMIS Version)



NOTE This figure is a schematic illustration of the 3D Addressing used in CMIS. By way of example it shows the bank and page structure of CMIS 4.1. Please see the main text for an actual memory space overview for this version of CMIS.

Figure 3 CMIS Module Memory Map (Conceptual View)

Table 3 CMIS Memory Map

Lower Memory Overview

Address	Size	Subject Area	Description
0-3	4	ID and Status Area	Module ID from SFF-8024 list, version number, Type and status
			Flat mem indication, CLEI present indicator, Maximum TWI speed, Current state of Module, Current state of the Interrupt signal
4-7	4	Lane Flag Summary	Flag summary of all lane flags on pages 10h-1Fh
8-13	6	Module-Level Flags	All flags that are not lane or data path specific
14-25	12	Module-Level Monitors	Monitors that are not lane or data path specific
26-3	5	Module Global Controls	Controls applicable to the module as a whole
31-36	6	Module-Level Flag Masks	Masking bits for the Module-Level flags
37-38	2	CDB Status Area	Status of most recent CDB command

39-40	2	Module Firmware Version	Module Firmware Version
41-63	23	Reserved Area	Reserved for future standardization
64-82	19	Custom Area	Vendor or module type specific use
83-84	2	Inactive Firmware Version	Version Number of Inactive Firmware. Values of 00h indicates module supports only a single image.
85-117	33	Application Advertising	Combinations of host and media interfaces that are supported by module data path(s)
118-125	8	Password Entry and Change	
126	1	Bank Select Byte	Bank address of currently visible Page
127	1	Page Select Byte	Page address of currently visible Page

■ Page 00h Overview

Address	Size (bytes)	Name	Description
128	1	Identifier	Identifier Type of module
129-144	16	Vendor name	Vendor name (ASCII)
145-147	3	Vendor OUI	Vendor IEEE company ID
148-163	16	Vendor PN	Part number provided by vendor (ASCII)
164-165	2	Vendor rev	Revision level for part number provided by vendor (ASCII)
166-181	16	Vendor SN	Vendor Serial Number (ASCII)
182-189	8	Date Code	
190-199	10	CLEI code	Common Language Equipment Identification code
200-201	2	Module power characteristics	
202	1	Cable assembly length	
203	1	Media Connector Type	
204-209	6	Copper Cable Attenuation	
210-211	2	Cable Assembly Lane Information	
212	1	Media Interface Technology	
213-220	8	Reserved	
221	1	Custom	
222	1	Checksum	Includes bytes 128-221
223-255	33	Custom Info NV	

Note: For the above, refer to **Common Management Interface Specification Rev5.0**.

2.10 Mechanical Specifications

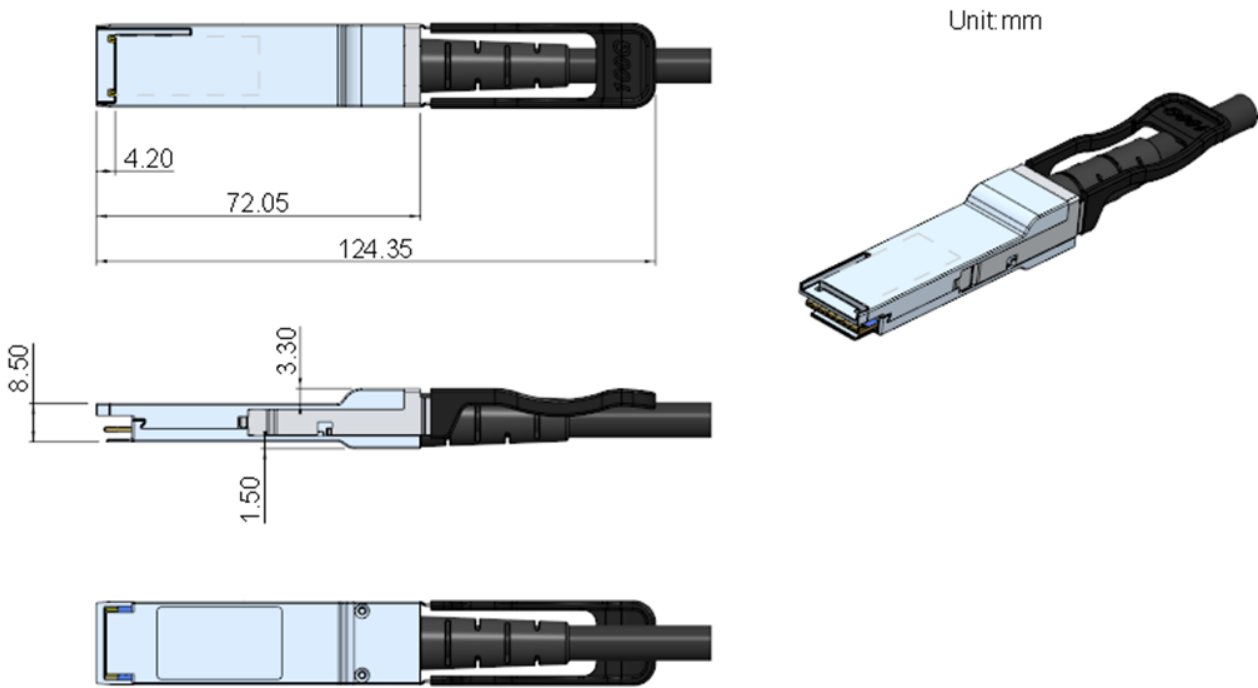
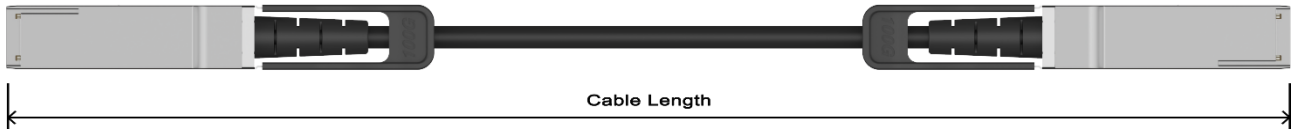


Figure 4 QSFP28Form Factor

3.0 Product Information

Unit:mm



Product ID	Product Description	Tolerance	AWG
Q28-100G-DAC-3010	QSFP28 100G Direct Attached Copper Cable, 30AWG-1.0M	±30	30
Q28-100G-DAC-3015	QSFP28 100G Direct Attached Copper Cable, 30AWG-1.5M	±40	30
Q28-100G-DAC-3020	QSFP28 100G Direct Attached Copper Cable, 30AWG-2.0M	±40	30
Q28-100G-DAC-3020	QSFP28 100G Direct Attached Copper Cable, 30AWG-2.5M	±50	30
Q28-100G-DAC-3025	QSFP28 100G Direct Attached Copper Cable, 30AWG-3.0M	±50	30
Q28-100G-DAC-2820	QSFP28 100G Direct Attached Copper Cable, 28AWG-2.0M	±40	28
Q28-100G-DAC-2825	QSFP28 100G Direct Attached Copper Cable, 28AWG-2.5M	±50	28
Q28-100G-DAC-2830	QSFP28 100G Direct Attached Copper Cable, 28AWG-3.0M	±50	28
Q28-100G-DAC-2835	QSFP28 100G Direct Attached Copper Cable, 28AWG-3.5M	±60	28
Q28-100G-DAC-2840	QSFP28 100G Direct Attached Copper Cable, 28AWG-4.0M	±60	28
Q28-100G-DAC-2845	QSFP28 100G Direct Attached Copper Cable, 28AWG-4.5M	±70	28
Q28-100G-DAC-2630	QSFP28 100G Direct Attached Copper Cable, 26AWG-3.0M	±50	26
Q28-100G-DAC-2635	QSFP28 100G Direct Attached Copper Cable, 26AWG-3.5M	±60	26
Q28-100G-DAC-2640	QSFP28 100G Direct Attached Copper Cable, 26AWG-4.0M	±60	26
Q28-100G-DAC-2645	QSFP28 100G Direct Attached Copper Cable, 26AWG-4.5M	±70	26
Q28-100G-DAC-2650	QSFP28 100G Direct Attached Copper Cable, 26AWG-5.0M	±70	26

Important Notice

The performance figures, data, and any illustrative material presented in this datasheet are typical and must be explicitly confirmed in writing by ZHAOLONG before they are deemed applicable to any specific order or contract.

By ZHAOLONG's policy of continuous improvement, specifications may change without prior notice. The publication of information in this datasheet does not imply exemption from patent or other protective rights held by ZHAOLONG or other parties. Additional details can be obtained from any ZHAOLONG sales representative.

4.0 Revision Record

Rev.	Comments	Author	Date
A01	Initial Release	James Chen	10/01/2023