



## Application

- Data center & Networking Equipment
- Servers/Storage Devices
- High Performance Computing (HPC)
- Switches/Routers
- Telecom Central Offices (CO)
- Test and Measurement Equipment

## Standards Compliance

- Compliant with SFP-DD MSA
- Compliant with IEEE 802.3ck
- Compliant with IEEE 802.3cd
- I2C for EEPROM Communication
- Compliant with CMIS 5.x
- SFF-TA-1031, FF-8665, SFF-8661, SFF-8679, SFF-8636

## Highlight

- Support 106.25G PAM4
- 100G to 100G Data Rate
- 3.3V Power Supply
- Hot Pluggable
- BER <  $10^{-6}$  (pre FEC)
- BER <  $10^{-15}$  (post FEC)
- Excellent SI performance
- RoHS Compliance

## 1.0 General Description

This datasheet pertains to the **SFP112 to SFP112 100G Direct Attached Cable Assembly**, meticulously designed for application in the telecommunications and data center sectors. It helps carry 100Gb of traffic per cable in both directions. The cable adheres to the standardized SFP112 form factor and complies rigorously with Multi-Source Agreement (MSA) specifications.

## 2.0 Product Specification

### 2.1 Absolute Maximum Ratings

Parameter	Unit	Min.	Max.	Notes
Supply Voltage	V	-0.3	3.6	
Data Input Voltage	V	-0.3	3.6	
Control Input Voltage	V	-0.3	3.6	
Operating Temperature	°C	0	70	
Storage Temperature	°C	-40	+85	
Relative Humidity (Non-Condensing)	%	5	85	

### 2.2 Operational Specification

Parameter	Unit	Min	Typical	Max	Notes
Supply Voltage (Vcc)	V	3.135	3.3	3.465	Per End
Power Consumption	W			1.5	Per End
Operating Case Temperature	°C	0		70	
Operating Relative Humidity	%	0		85	
Modulation Format		112G PAM-4			
Bit Rate	Gbps		100		

### 2.3 Electrical Characteristics

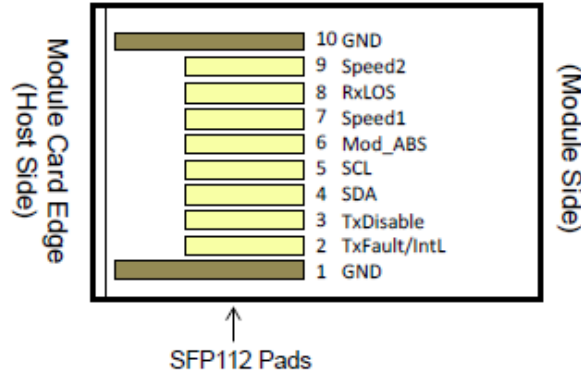
Parameter	Unit	Min	Typical	Max	Notes
Characteristic Impedance	ohm	90	100	110	
Time Propagation Delay (Informative)	ns	.....	.....	4.9	

### 2.4 SI performance

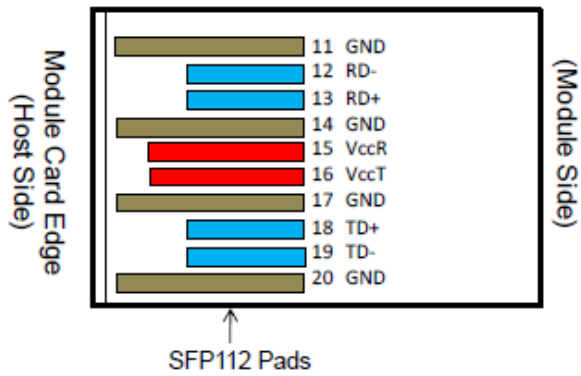
Item	Parameter	Require	Reference
1	ILdd Insertion loss at 26.56 GHz	19.75 dB (Max.)	IEEE 802.3ck Section 162.11.2
2	ILdd Insertion loss at 26.56 GHz	11 dB (Min.)	IEEE 802.3ck Section 162.11.2
3	ERL Minimum cable assembly	>8.25 dB*.	IEEE 802.3ck Section 162.11.3
4	RLcd Differential-mode to common-mode return loss	0.01GHz – 40GHz Equation (162–20)	IEEE 802.3ck Section 162.11.4
5	ILcd Differential-mode to common-mode insertion loss	0.01GHz – 40GHz Equation (162–21)	IEEE 802.3ck Section 162.11.5
6	RLcc Common-mode to common-mode return loss	0.01GHz – 40GHz Equation (162–22)	IEEE 802.3ck Section 162.11.6
7	COM	3dB (Min.)	IEEE 802.3ck Section 162.11.7
*Cable assemblies with a com greater than 4 dB are not required to meet minimum ERL			

## 2.5 Pin Assignments

Bottom side as viewed from top through the board



Top side viewed from top of board



**Figure 1 SFP112 Module Contact Assignment**

## 2.6 Pin Description

**Table 1 SFP112 Module Pin Description**

Contacts	Logic <sup>1</sup>	Symbol	Power Sequence Order	Name/Description	Note
0		case	0	Module case	
1		GND	1	Ground	1
2	LVTTL-O	Tx_Fault	3	Module Fault Indication optionally can be configured IntL via TWI as described in the CMIS	4
3	LVTTL-I	Tx_Disable	3	Transmitter Disable	
4	LVTTL-I/O	SDA	3	Management I/F data line	
5	LVTTL-I/O	SCL	3	Management I/F clock	

6		Mod_ABS	3	Module Absent	
7	LVTTL-I	Speed1	3	Rx Rate Select	
8	LVTTL-O	Rx_LOS	3	Rx Loss of Signal	
9	LVTTL-I	Speed2	3	Tx Rate Select	
10		GND	1	Ground	1
11		GND	1	Ground	1
12	CML-O	RD0-	3	Inverse Received Data Out	
13	CML-O	RD0+	3	Received Data Out	
14		GND	1	Ground	1
15		VccR	2	Receiver Power	2
16		VccT	2	Transmitter Power	2
17		GND	1	Ground	1
18	CML-I	TD0+	3	Transmit Data	
19	CML-I	TD0-	3	Inverse Transmit Data	
20		GND	1	Ground	1

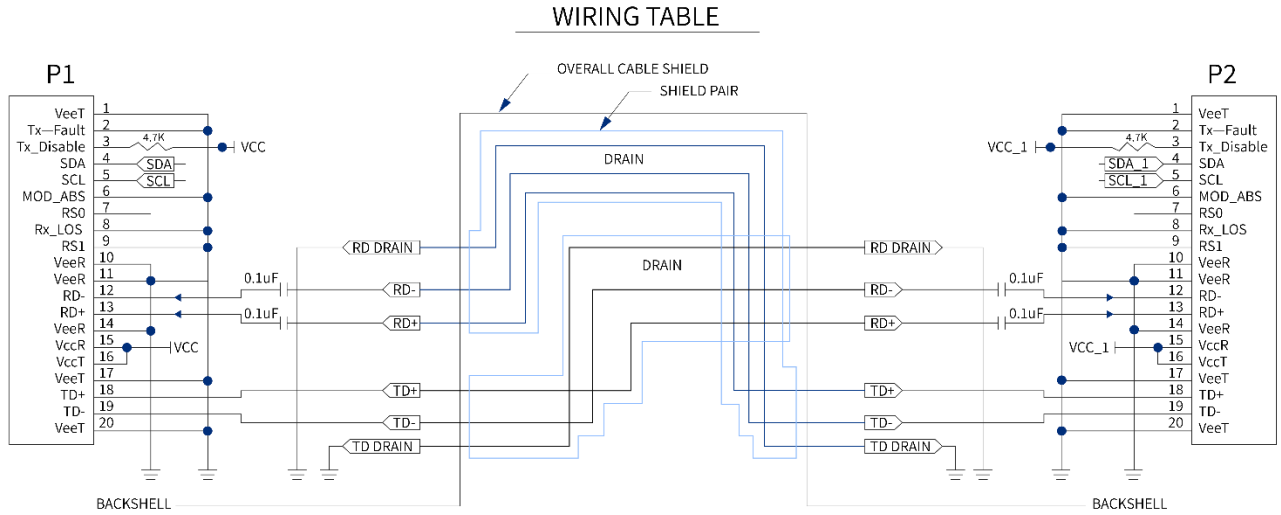
**Note1:**  
 SFP112 uses common ground (GND) for all signals and supply (power). All are common within the SFP112 module and all module voltages are referenced to this potential unless otherwise noted. Connect these directly to the host board signalcommon ground plane.

**Note2:**  
 VccR, VccT shall be applied concurrently. Requirements defined for the host side of the Host Card Edge Connector are listed in Table 11. VccR and VccT may be internally connected within the module in any combination. The connector Vcc pins are each rated for a maximum current of 1000 mA.

**Note3:**  
 Plug Sequence specifies the mating sequence of the host connector and module. The sequence is 0, 1, 2, 3.

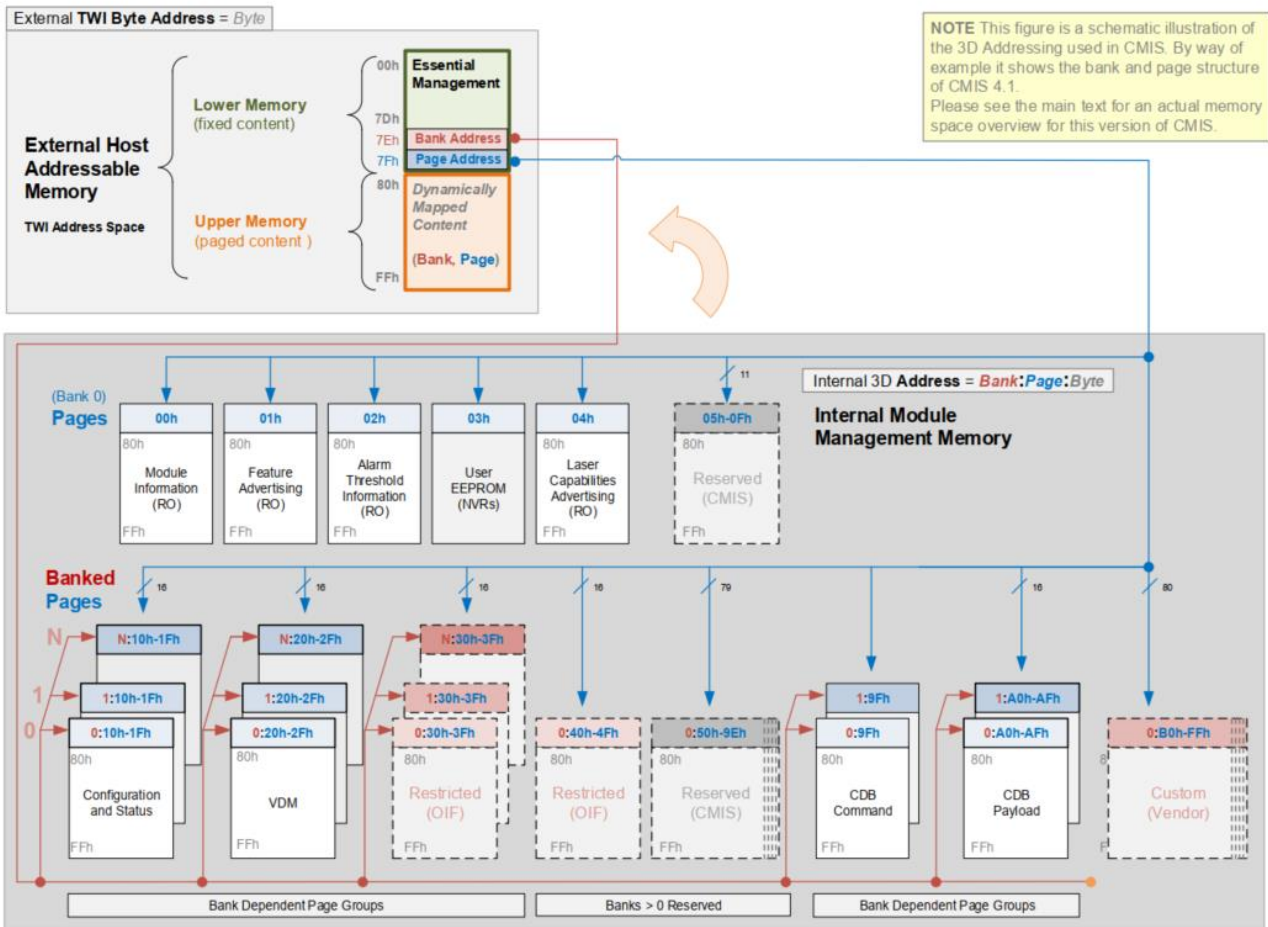
**Note4:**  
 Support to configure TXFault/IntL will be provided in future CMIS revisions 5.1.

2.7 Cable Wiring



**Figure 2 SFP112 to SFP112 Direct Attached Cable Assembly Wiring**

**2.8 Memory Map information (CMIS Version)**



**Figure 3 CMIS Module Memory Map (Conceptual View)**

**Lower Memory Overview**

Address	Size	Subject Area	Description
0-3	4	ID and Status Area	Module ID from SFF-8024 list, version number, Type and status
4-7	4	Lane Flag Summary	Flag summary of all lane flags on pages 10h-1Fh
8-13	6	Module-Level Flags	All flags that are not lane or data path specific
14-25	12	Module-Level Monitors	Monitors that are not lane or data path specific
26-3	5	Module Global Controls	Controls applicable to the module as a whole
31-36	6	Module-Level Flag Masks	Masking bits for the Module-Level flags
37-38	2	CDB Status Area	Status of most recent CDB command
39-40	2	Module Firmware Version	Module Firmware Version
41-63	23	Reserved Area	Reserved for future standardization

64-82	19	Custom Area	Vendor or module type specific use
83-84	2	Inactive Firmware Version	Version Number of Inactive Firmware. Values of 00h indicates module supports only a single image.
85-117	33	Application Advertising	Combinations of host and media interfaces that are supported by module data path(s)
118-125	8	Password Entry and Change	
126	1	Bank Select Byte	Bank address of currently visible Page
127	1	Page Select Byte	Page address of currently visible Page

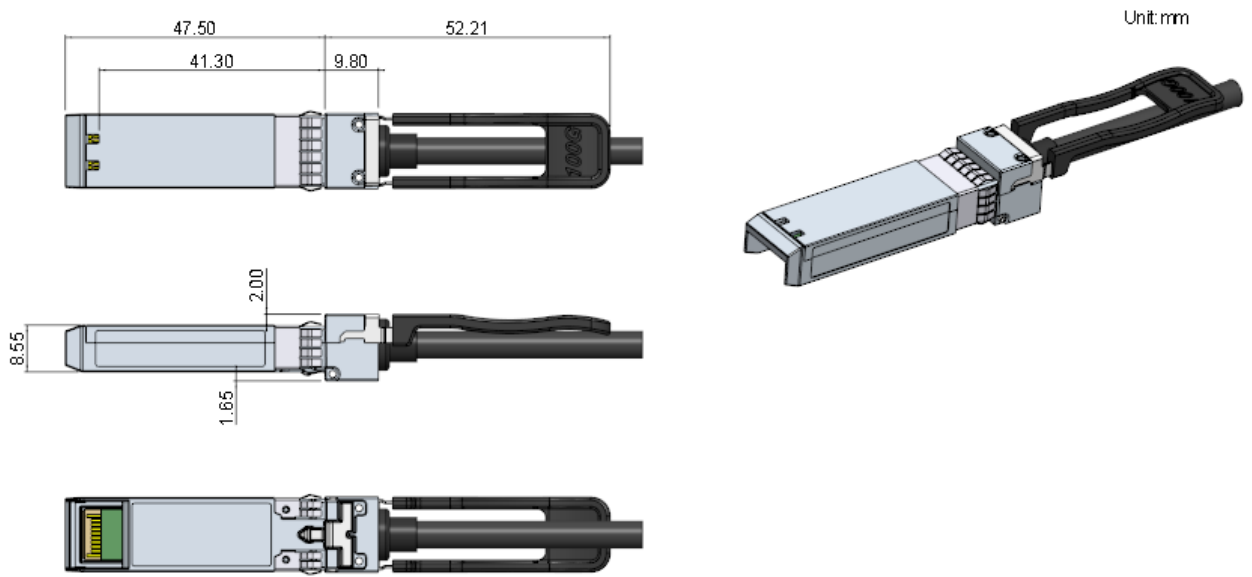
■ **Page 00h Overview**

Address	Size (bytes)	Name	Description
128	1	Identifier	Identifier Type of module
129-144	16	Vendor name	Vendor name (ASCII)
145-147	3	Vendor OUI	Vendor IEEE company ID
148-163	16	Vendor PN	Part number provided by vendor (ASCII)
164-165	2	Vendor rev	Revision level for part number provided by vendor (ASCII)
166-181	16	Vendor SN	Vendor Serial Number (ASCII)
182-189	8	Date Code	
190-199	10	CLEI code	Common Language Equipment Identification code
200-201	2	Module power characteristics	
202	1	Cable assembly length	
203	1	Media Connector Type	
204-209	6	Copper Cable Attenuation	
210-211	2	Cable Assembly Lane Information	
212	1	Media Interface Technology	
213-220	8	Reserved	
221	1	Custom	
222	1	Checksum	Includes bytes 128-221
223-255	33	Custom Info NV	

Note: For the above, refer to **Common Management Interface Specification Rev5.0**.



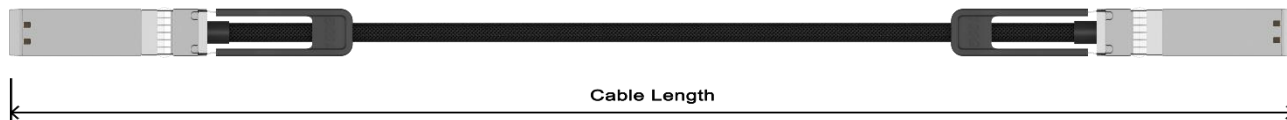
### 2.9 Mechanical Specifications



**Figure 4 SFP112 Form Factor**

### 3.0 Product Information

Unit:mm



Product ID	Product Description	Tolerance	AWG
S112-100G-DAC-3005	SFP112 100G Direct Attached Copper Cable, 30AWG-0.5M	±20	30
S112-100G-DAC-3010	SFP112 100G Direct Attached Copper Cable, 30AWG-1.0M	±30	30
S112-100G-DAC-2810	SFP112 100G Direct Attached Copper Cable, 28AWG-1.0M	±30	28
S112-100G-DAC-2815	SFP112 100G Direct Attached Copper Cable, 28AWG-1.5M	±30	28
S112-100G-DAC-2615	SFP112 100G Direct Attached Copper Cable, 26AWG-1.5M	±40	26
S112-100G-DAC-2620	SFP112 100G Direct Attached Copper Cable, 26AWG-2.0M	±40	26

#### Important Notice

The performance figures, data, and any illustrative material presented in this datasheet are typical and must be explicitly confirmed in writing by ZHAOLONG before they are deemed applicable to any specific order or contract.

By ZHAOLONG's policy of continuous improvement, specifications may change without prior notice. The publication of information in this datasheet does not imply exemption from patent or other protective rights held by ZHAOLONG or other parties. Additional details can be obtained from any ZHAOLONG sales representative.

### 4.0 Revision Record

Rev.	Comments	Author	Date
A01	Initial Release	James Chen	10/01/2023